

Recirculating Pumps for Swimming Pool Filtering Systems



Fields of Application

- Recirculation of swimming pool water in all kinds of swimming pool filtering systems

Medium Handled

Clean water, treated swimming pool water

- Chlorine content: 0.4 to 1.4 mg/l free chlorine and max. 0.6 mg/l combined chlorine, pH value 6.9 to 7.7, water hardness 10° to 30°
- Salt concentration up to max. 7 g/l

Not suitable for seawater (35 g/l).

Operating Data

Q up to 36 m³/h, 10 l/s

H up to 21 m

t up to +35 °C

p_d *) up to 2.5 bar

*) p_d = System discharge pressure

Designation

Type series _____ Filtra 18 D
 Average capacity in m³/h _____
 E = single-phase alternating current | _____
 D = three-phase current

Design

Self-priming single-stage close-coupled pump.

Shaft Seal

Mechanical seal, make Burgmann: chrome steel / Viton

Materials

| | |
|-----------------|--|
| Pump casing | Polypropylene with stainless steel ring |
| Impeller | Noryl |
| Diffuser | Noryl |
| Cover | PMMA (Plexiglass) |
| Shaft | Chrome steel |
| Motor housing | Aluminium |
| Discharge cover | Aluminium with epoxy or cataphoretic coating |

Drive

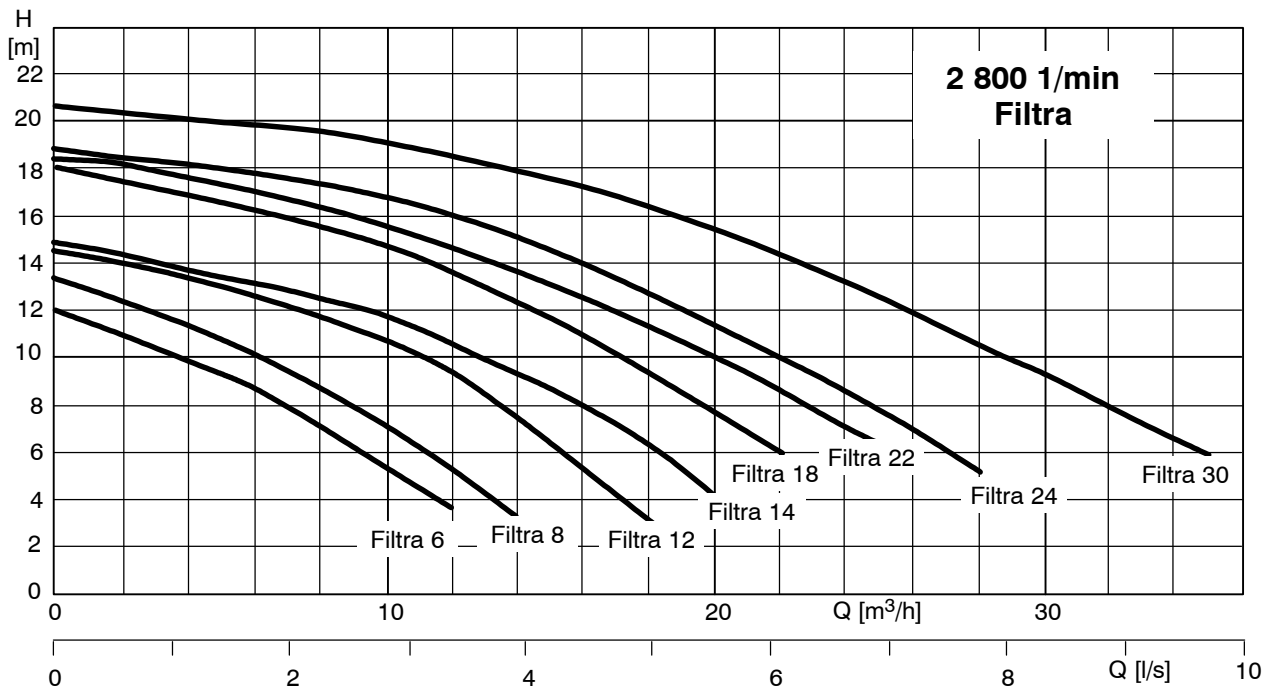
Single-phase a. c. motor with integrated motor protection or three-phase motor, IP 44, thermal class F.

Bearings

Deep-groove ball bearings, grease-lubricated for life.

Conformity Mark

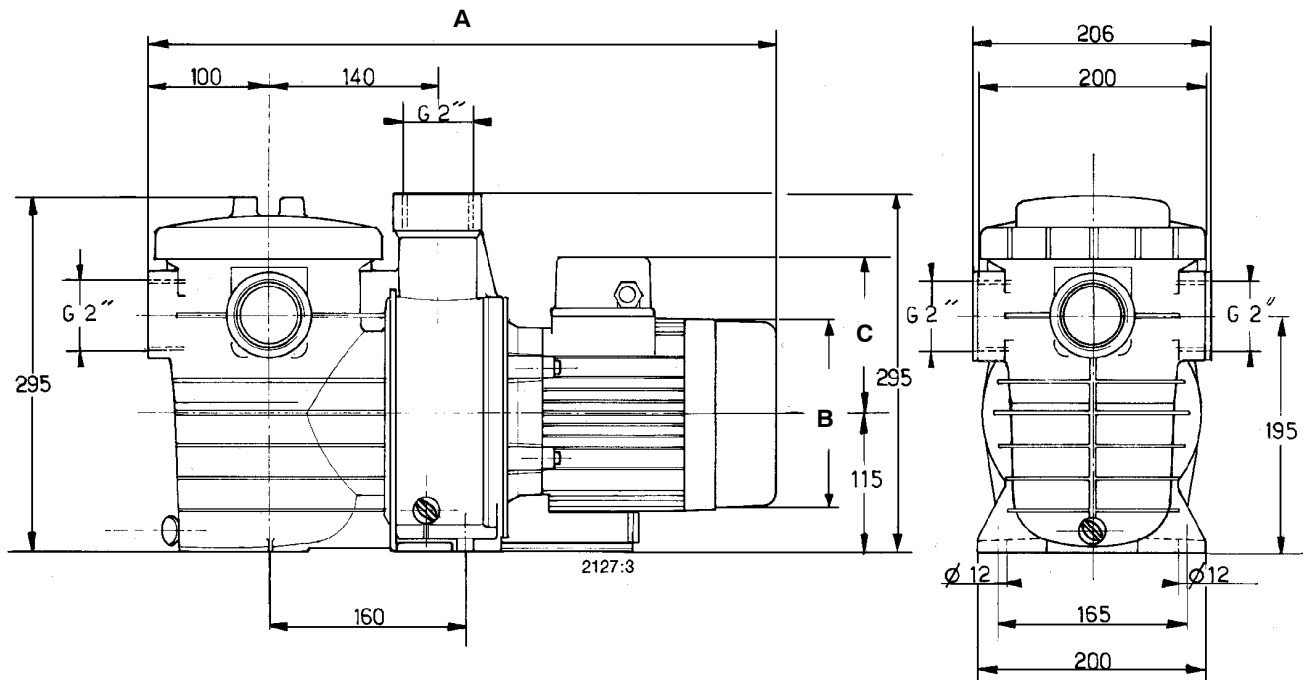


n = 2800 1/min


| Filtra | 1~230 V, 50 Hz | | | | |
|-------------|----------------------------------|----------------------------------|-------------------------------|------------|----------------------|
| | Power input P ₁ kW | Shaft power P ₂ kW | Current 230 V approx. A | Ident. No. | Weight approx. kg |
| 6 E | 0.65 | 0.30 | 3.3 | 48 837 360 | 8.7 |
| 8 E | 0.70 | 0.40 | 3.5 | 48 837 361 | 8.7 |
| 12 E | 0.90 | 0.60 | 4.6 | 40 984 802 | 8.7 |
| 14 E | 1.00 | 0.70 | 5.0 | 40 984 803 | 12.0 |
| 18 E | 1.20 | 0.80 | 5.9 | 48 837 363 | 12.0 |
| 22 E | 1.40 | 1.00 | 6.6 | 48 837 364 | 13.0 |
| 24 E | 1.80 | 1.20 | 8.2 | 48 837 365 | 13.0 |

| Filtra | 3~230 / 400 V, 50 Hz | | | | | |
|-------------|----------------------------------|----------------------------------|-------------------------------|-------------------------------|------------|----------------------|
| | Power input P ₁ kW | Shaft power P ₂ kW | Current 230 V approx. A | Current 400 V approx. A | Ident. No. | Weight approx. kg |
| 6 D | 0.65 | 0.30 | 2.2 | 2.3 | 48 837 366 | 8.7 |
| 8 D | 0.70 | 0.40 | 2.4 | 1.4 | 48 837 367 | 8.7 |
| 12 D | 0.80 | 0.50 | 2.6 | 1.5 | 48 837 368 | 8.7 |
| 14 D | 0.90 | 0.63 | 3.1 | 1.8 | 40 984 808 | 11.0 |
| 18 D | 1.20 | 0.80 | 3.6 | 2.1 | 48 837 369 | 11.0 |
| 22 D | 1.40 | 1.00 | 4.4 | 4.9 | 48 837 370 | 12.0 |
| 24 D | 1.80 | 1.20 | 5.0 | 5.5 | 48 837 371 | 12.0 |
| 30 D | 2.20 | 1.60 | 6.4 | 3.7 | 40 981 888 | 13.5 |

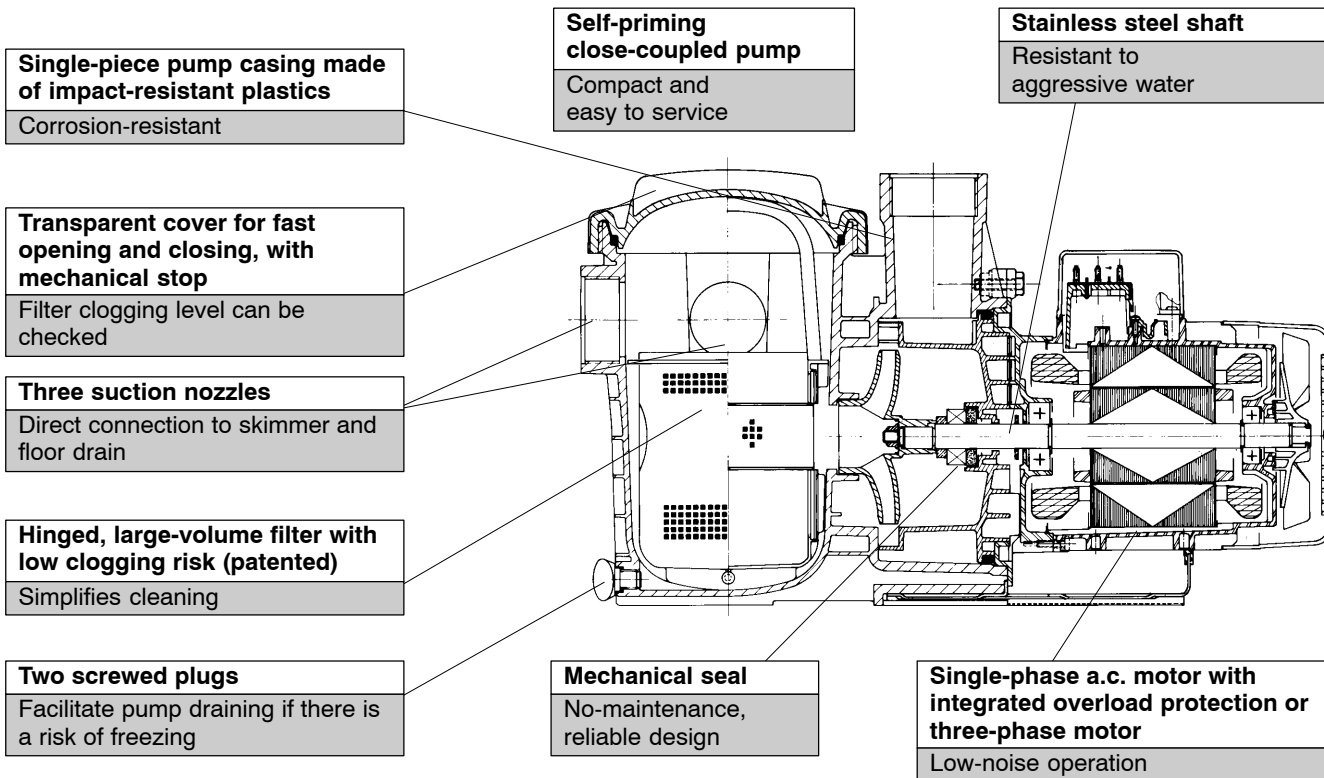
Filtra
mm



| Filtra | Filtra E | | Filtra D | |
|-------------|----------|-----|----------|-----|
| | A | ø B | C | C |
| 6 | 480 | 120 | 107 | 115 |
| 8 | 480 | 120 | 107 | 115 |
| 12 E | 500 | 140 | 117 | - |
| 12 D | 480 | 120 | - | 115 |
| 14 | 500 | 140 | 117 | 125 |
| 18 | 500 | 140 | 117 | 125 |
| 22 | 510 | 160 | 125 | 125 |
| 24 | 510 | 160 | 125 | 125 |
| 30 | 510 | 160 | - | 125 |

Product Features

To Our Customers' Benefit



Subject to technical modifications without prior notice.

2127-5-10 / 1.5.2003

